

510-0002 8-54D/C99
DUST COLLECTOR

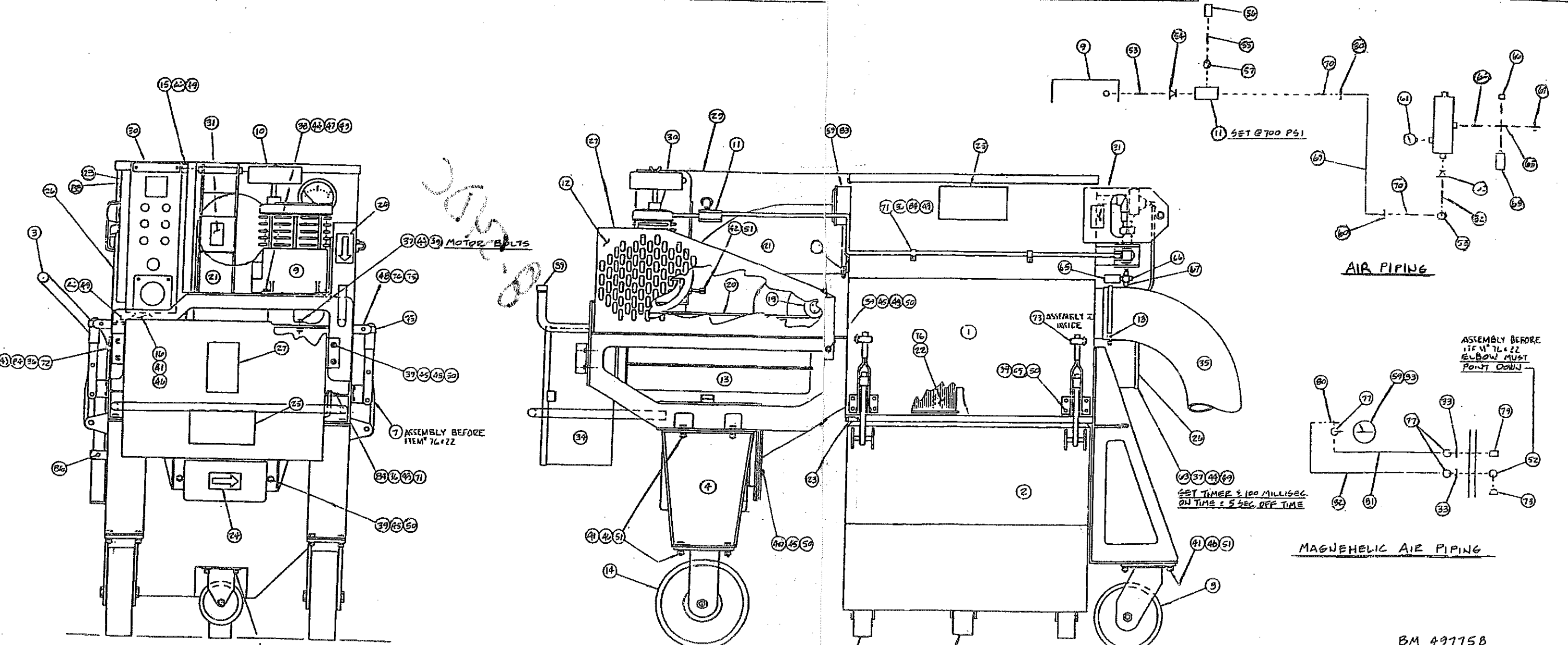
ITEM NO.	QTY	USF PN	DESCRIPTION
1	6	717053	TERMINAL BLOCK, BLACK
2	7	717051	TERMINAL BLOCK, RED
3	2	717052	TERMINAL BLOCK, WHITE
4	1	717048	TERMINAL BLOCK, END BARRIER, KBL6-10 TERMINAL BLOCK
5	1	717049	TERMINAL BLOCK, ISOLATION PARTITION
6	2	717045	TERMINAL BLOCK, END ANCHOR, TERMINAL BLOCK, 35 MM
7	1		NUT FOR CD38NA-BK 1-1/2"
8	1	P000190	VOLTMETER, DIGITAL, 600V, 48VDC PS, DUAL RELAY
9	3		ELBOW 90°
10	1	P000144	HOUR METER, 120V, 50/60 HZ (HM)
11	1	716842	RECEPTACLE, 60 AMP, 480 V, 4 WIRE, 3 POLE, PANEL MOUNT
12	2	P000394	LAMP, T3 1/4, 28V (PL1 & PL2)
13	3	P000393	LAMP, T3 1/4, 120V (PL3, PL4 & PL5)
14	1	P000150	PILOT LIGHT, GREEN, LESS LAMP (CONTROL POWER) (PL3)
15	1	P000323	SHACKLE/ SCREW PIN, 3/8"
16	3	493410	VALVE, SOLENOID, 120 VAC, 50/60 HZ (SV1, SV2 & SV3)
17			NOT USED
18	2	P000147	XFMR, TERMINAL COVER
19	1	P000407	TRANSFORMER, 200VA, 480/240X120 (GP1)
20			NOT USED
21			NOT USED
22			NOT USED
23			NOT USED
24	1	P000197	POWER SUPPLY, 24 VDC, 15 W (PS)
25	2	P000198	AUX CONTACT, 2NO, TOP MOUNTED (1M & 2M)
26	1	716820	SWITCH, DISCONNECT EXTENSION (MAIN)
27	1	P000158	BUS FEEDER CONNECTOR, 3 PHASE
28	1	P000199	CONTACTOR (COMPRESSOR) 120 VOLT, 50/60 HZ (1M)
29	1	P000200	CONTACTOR (FAN) 120 VOLT, 50/60 HZ (2M)
30	1	P000201	RELAY/ FOR "VOLTAGE ACCEPTABLE", 4PNO (CRA)
31	1	P000202	CIRCUIT BREAKER/ POWER SUPPLY SECONDARY, 0.5 AMP (CB2)
32			NOT USED
33	1	P000416	CIRCUIT BREAKER (CB1)
34	1	716819	SWITCH/ DISCONNECT, HANDLE (MAIN)
35			NOT USED
36	1	716818	SWITCH/DISCONNECT, 160AMP (MAIN)
37	2	716826	AUX CONTACT , (1 NO/1 NC) FOR EACH MCP (FOR 1MOL & 2MOL)
38	1	716821	MCP/ CIRCUIT PROTECTOR FOR FAN (2MOL) , 6.3 - 10 AMP
39	1	716824	MCP/ CIRCUIT PROTECTOR FOR COMPRESSOR (1MOL) , 2.4 - 4 AMP
40	1	P000207	MCP/ CIRCUIT PROTECTOR FOR PHASE MONITOR (PMOL) , 0.25 - 0.4 AMP
41	1	716825	MCP/ CIRCUIT PROTECTOR FOR CPT (CPOL) , 0.63 - 1.0 AMP
42			NOT USED
43	2	P000155	SWITCH, PUSH BUTTON, DUAL, FOR START/STOP (PB2A&B, PB3A&B)
44	2	P000341	PILOT LIGHT, AMBER, LESS LAMP (COMPRESSOR RUNNING) (PL4 & PL5)
45	2	P000210	PILOT LIGHT, GREEN, LESS LAMP (PROPER ROTATION) (PL2)
46	1	P000211	PILOT LIGHT, RED, LESS LAMP (IMPROPER ROTATION) (PL1)
47	1	P000212	SWITCH, E STOP, LATCHING, PULL TO RELEASE, 2 NC (PB1 E-STOP)
48			NOT USED
49	1	487270	TIMER, DC PULSE, 120V, 50/60 HZ, ON - 50-500 MS, OFF - 1.5 - 30 SEC (PTB)
50	1	691949	STRAIN RELIEF, DOUBLE EYELET, 1-1.25" (DC END POWER CORD)
51	1	P000156	CORD GRIP, 0.86"-1.26", 1 1/2" NPT, (INPUT POWER)
52	1	P000221	RELAY/PHASE SEQUENCE/LOSS SELF POWERED, 200/480 V, 50/60 HZ (PM)
53	1	P000315	SOCKET, RELAY FOR PHASE SEQUENCE MONITOR
54	1	P001044	FITTING -STRAIGHT 1/2"
55	1	HDW	NUT FOR 1/2"
56	1	P001055	ELBOW FOR PG16 (COMPRESSOR)
57	1	P001047	ELBOW CONNECTOR, 3/4" (FAN)
58	1	P001040	1/2" X 3/3" CONDUIT FOR PG16
59	1	P001063	8-54 ENCLOSURE W/BACKPANEL
60	1	P001064	ENCLOSURE DOOR
61	40	P000330	WIRE, 600V, 14 AWG
62	30	P000331	WIRE, 600V, 16 AWG
63	75	P000332	WIRE, CABLE, 4 AWG, 4 CONDUCTOR, TYPE W
64	1	676556	GAUGE, WATER GAGE, DIFFERENTIAL PRESURE GAGE 1-10 INCHES W.C.
65	1	P001046	FITTING-STRAIGHT 3/4"
66	1	HDW	NUT FOR 3/4"
67	1	P001041	3/4" X 3/3" CONDUIT FOR PG21
68	2	710015	VIBRATION MOUNT, 1 1/4" CONICAL W/ 5/16 - 18 STUDS
69	2	45655	VIBRATION MOUNT, 1" ROUND W/ 5/16 - 18 STUDS

ITEM	QTY	PART. NO.	DWG. NO.	DESCRIPTION
1	1	497726	84D913	MAIN WBLDMENT
2	2	497725	84D910	HOPPER
3	2	497748	84C532	HANDLE
4	2	497749	84C533	SUPPORT / CASTER
5	2	448990		CASTER / SWIVEL 5" DIA
6	2	448991		CASTER / ASSY 5" DIA.
7	4	426450		CLAMP
8	1	490697		CASTER / SWIVEL
9	1	490698		COMPRESSOR
10	1	497771		FILTER ASSY
11	1	490691		UNLOADER
12	1	490099	82D1287	GUARD
13	1	490693		BLOWER
14	2	490695		CASTER / RIGID
15	2	456550		MOUNT
16	2	483464		ISOLATOR
17	2	223961		CLAMP / HOSE 5-5/8" TO 8-1/2"
18	1	206406		CLAMP / HOSE 6-1/8" TO 7"
19	1	491824		SHRAVE POLY-V J SECT
20	1	491825		BELT 580 J 6
21	1	490706	84A370	DUCT HOSE 8" DIA
22	6	493206		FILTER ELEMENT

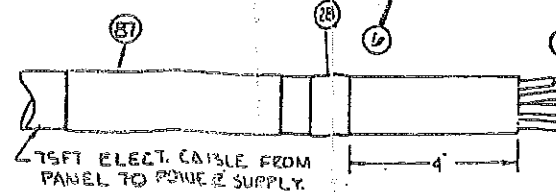
ITEM	QTY	PART. NO.	DWG. NO.	DESCRIPTION
23	1	497753	84B494	SEAL
24	2	472553	79A1015	SIGN / SAFETY-VERIFY ROTAT
25	3	497754	84B495	SIGN / IDENTITY - DUST COLL
26	2	494150	83B510	SIGN / DANGER-LOCK OUT PWR
27	2	494044	83A418	SIGN / WARNING-DO NOT OPER
28	2	499414	55A134	SIGN / WARNING-460 VOLTS
29	1	493905	83B489	SIGN / CAUTION-COMPRESSOR
30	1	494149	83A431	SIGN / CAUTION-EQUIP DAMAG
31	3	498276	85A16	SIGN / CAUTION-LIFT HERE
32	1	500349		PIPE NIPPLE 1/2" X 1-1/2" LG
33	2	500106		FLAT WASHER 1/2"
34	1	497719	84C527	SILENCER ASSY
35	3	489301		DUCT HOSE 6" DIA
36	5	500901		NUT / HEX #10-24NFC
37	8	500189		HEX HD CAP SCR 0.312-18 X .75
38	8	500191		HEX HD CAP SCR 0.312-18 X 1.25
39	50	500768		HEX HD CAP SCR 0.375-16 X 1.25
40	4	500200		HEX HD CAP SCR 0.375-16 X 2.00
41	18	500221		HEX HD CAP SCR 0.500-13 X 1.50
42	2	500632		SQ. HD SET SCR 1/2-113 X 4" LG
43	5	500113		LOCK WASHER 3/16"
44	14	500114		LOCK WASHER 5/16"

ITEM	QTY	PART. NO.	DWG. NO.	DESCRIPTION
45	54	500115		LOCK WASHER 3/8"
46	18	500116		LOCK WASHER 1/2"
47	4	500103		FLAT WASHER 5/16"
48	10	500104		FLAT WASHER 3/8"
49	13	500059		HEX NUT 5/16-18
50	54	500060		HEX NUT 3/8-16
51	18	500062		HEX NUT 1/2-13
52	1	500550		ELBOW 90 deg 0.125
53	1	500345		PIPE NIPPLE 3/8 X 2" LG
54	1	500539		REDUCER BUSHING 1/2" X 3/8"
55	1	500343		CLOSE PIPE NIPPLE 3/8"
56	1	255861		MUFFLER
57	1	500393		STREET ELBOW 3/8" - 90 deg
58	1	500552		ELBOW 1/2" 90 deg
59	1	491837		GAUGE, MAGNEHELIC
60	2	205112		CLAMP
61	1	126814		GUAGE 2"
62	1	501697		REDUCER BUSHING 1" X 1/2"
63	1	491836		BOX, TIMER ASSY
64	1	500913		CLOSE PIPE NIPPLE 1/4"
65	1	500521		PIPE CROSS 1/4"
66	1	500492		PIPE PLUG 1/4"

ITEM	QTY	PART. NO.	DWG. NO.	DESCRIPTION
67	1	484951		DRAIN VALVE
68	1	483468		SAFETY VALVE
69	1	497755		HOSE
70	2	146280		BARBED HOSE INSERT 1/2-14 NPT
71	4	491955		CLAMP / RIGID CONDUIT .50"
72	1	491954		CLAMP / CABLE
73	4	464548	78A284	LATCH / HANDLE
74	4	495532		SOC. HD. SHLDR SCR. 3/8 X 3/8
75	4	500080		FLEX-LOC NUT 5/16-18
76	8	498499		ROD / HANGER W/NUT
77	3	483864		ELBOW
78	1	441578		VENT
79	1	500365		COUPLING, 1/8"
80	1	483862		CONNECTOR
81	1	492051		TUBE / LOW
82	1	492052		TUBE / HIGH
83	3	500038		RD. HD. MACH. SCR.#6-32 X 3/8 LG
84	5	501144		RD. HD. MACH. SCR.#10-32 X 2 LG
85	2	483090		CAP
86	4	501253		SQ HD CAP SCR. 5/16-18 X 1/2 LG
87	1	499843	85A230	SIGN / DANGER-MUST BE GRNDD
88	1	499946	85B286	SIGN / DANGER-MUST BE GRNDD



NOTE:
 1. SHIP ITEMS 18 & 35 LOOSE.
 2. ITEM 9, COMPRESSOR TO BE FILLED WITH ONE (1) PINT OF OIL. DO NOT OVERFILL.



854DC
 Wheelabrator-Frye Inc.
 Materials Cleaning Systems Division
 Mishawaka, Indiana U.S.A.

F	REV 3	1/27/68	LAM
E	REV 2	1/18/68	LAM
D	REV 1	9/13/65	LEM
C	ASBDD	4/29/63	LEM
B	ASBDD	4/29/63	LEM
A	ASBDD	11/17/61	LEM

MACHINE ASSEMBLY
 6560 PART COLLECTOR

DATE: 11-5-68
 CHECK: J. J. J.

84D915